
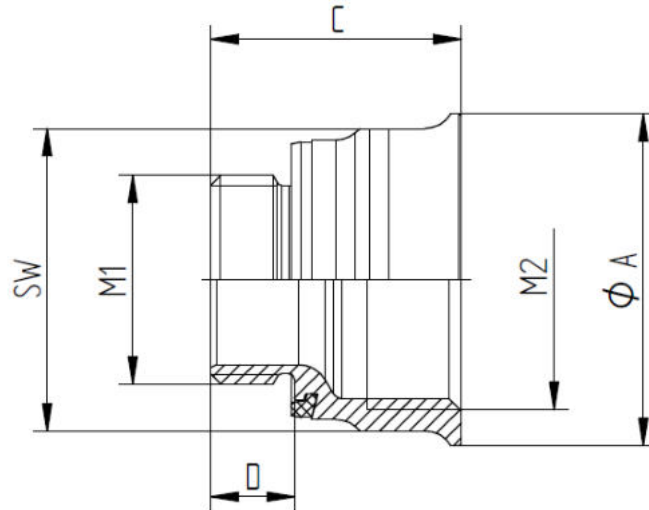


52103591	DATA SHEET	
Valid from: 13.09.2023	SKINDICHT® HYGIENIC E-M	

Technical drawing:



Article number	Article description	M1	M2	SW [mm]	Ø A [mm]	C [mm]	D [mm]
52103591	SKINDICHT HYGIENIC E-M 12/16	M12x1,5	M16x1,5	20	22,8	20,5	6,5
52103592	SKINDICHT HYGIENIC E-M 16/20	M16x1,5	M20x1,5	24	27,0	23	7
52103593	SKINDICHT HYGIENIC E-M 20/25	M20x1,5	M25x1,5	29	31,8	24	8
52103594	SKINDICHT HYGIENIC E-M 25/32	M25x1,5	M32x1,5	36	39,6	26,5	8

Photographs are not to scale and do not represent detailed images of the respective products.
For more information, please see our current catalogue.

Creator: TODV1/PDP Released: VACH1/PDP	Document: DB52103591EN Version: 03	Page 2 of 2
---	---------------------------------------	-------------