
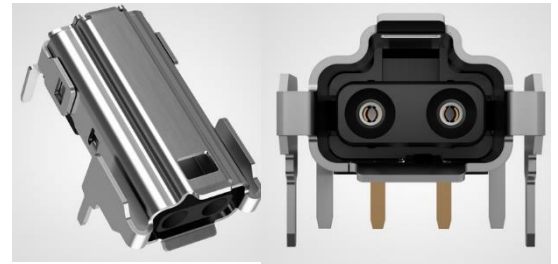


21700866	DATA SHEET	
Valid from: 19.01.2024	EPIC® DATA SPE-6 PCB F	

Description

- PCB connectors SPE according to DIN EN IEC 63171-6
- For single-pair Ethernet
- Power-over-Data-Line (PoDL)-capable connector for simultaneous power and data supply of SPE end devices with power requirements of up to 50 W (IEEE 802.3bu)



General characteristic

Connection type, plug connector	SPE socket for PCB connection
Number of poles	2
Ambient temperature (operation)	-25°C to +85°C
Protection class	IP 20
Shielding	Shielded
For cable Ø	Ø4.5 mm to Ø6.0 mm
Mating cycles	1000

Electrical properties

Rated voltage	60 VDC (max.)
Rated current	4 A
Degree of soiling	2
Contact resistance	≤ 20 mΩ
Insulation resistance	≥ 500 MΩ
Shield resistance	≤ 100 mΩ

Transmission properties


10 Base-T1	IEEE 802.3cg
100Base-T1	IEEE 802.3bw
1000Base-T1	IEEE 802.3bp

Mechanical properties

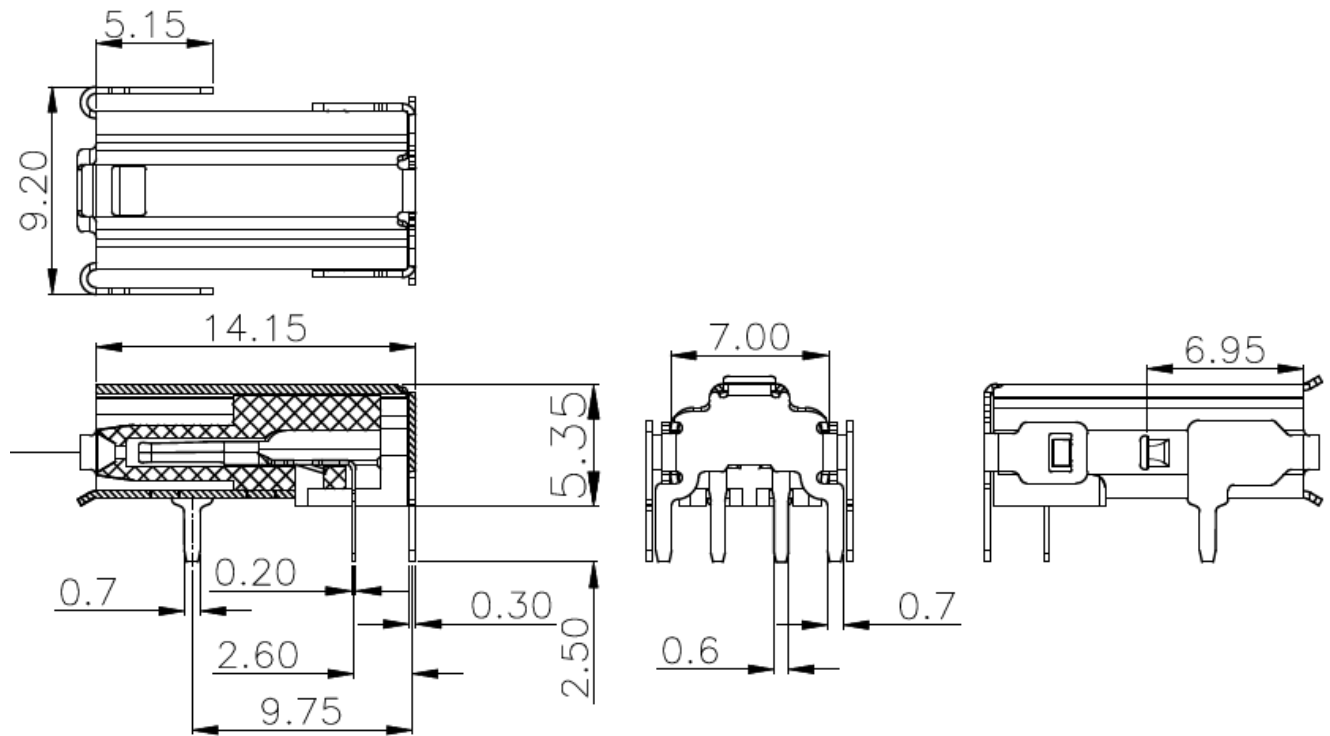
SPE plug

Flammability class according to UL 94	V1
Plug housing, material	PA
Shielding plate, material	Gold-plated copper alloy
Contacts, material	Bronze, gold-plated

Creator: STKU3/PDP Released: IVSE1/PDP	Document: DB21700866EN Version: 00	Page 1 from 2
---	---------------------------------------	---------------

21700866	DATA SHEET	
Valid from: 19.01.2024	EPIC® DATA SPE-6 PCB F	

Technical drawings



Standard

Product standard, SPE connectors

DIN EN IEC 63171-6

Areas of application

Automation, mechanical and plant engineering, sensors

Remark

The photographs are not to scale and are not detailed images of the respective products.

Creator: STKU3/PDP Released: IVSE1/PDP	Document: DB21700866EN Version: 00	Page 2 from 2
---	---------------------------------------	---------------