

44420288	<b>DATENBLATT</b>
Gültig ab: 08.01.2024	<b>POWERLOCK BOX C</b>

## Description

- Circular connectors for servomotors and power supply
- Guarantees the correct sequence is followed when connecting and disconnecting a set of connectors (PE, N, L1, L2, L3)
- Every colour has a different coding to prevent incorrect plugging
- IP 20 finger-protected
- Integrated micro-switch that can be connected to circuit breaker or alarm circuit



## General Characteristics

Series	Powerlock Box C
Version	panel- mount base, drain / source
Rated voltage (V)	1000 V
Rated current (A)	Crimp terminated: max. 660 A
Contacts	Crimp termination: copper, silver-plated
Number of contacts	4+PE
Termination methods	Crimp termination: 35 - 240 mm <sup>2</sup>
Protection	IP 20 without cover, not plugged in IP65 with closed cover, not plugged in IP65 mated
Cycle of mechanical operation	500
Temperature range	-25°C to +85°C
Degree of soiling	3

## Product Variations

Article- Number	Article	Fastening type	Pin configuration
<b>POWERLOCK BOX A1, panel-mount base, drain with M12 threaded post</b>			
44420288	POWERLOCK BOX A1 C	Ø6,5mm (4x)	4+PE
<b>POWERLOCK BOX A1, panel-mount base with cover, drain with M12 threaded post</b>			
44420289	POWERLOCK BOX A1 CD	Ø6,5mm (4x)	4+PE
<b>POWERLOCK BOX A6, panel-mount base, source with M12 threaded post</b>			
44420284	POWERLOCK BOX A6 C	Ø6,5mm (4x)	4+PE
<b>POWERLOCK BOX A6, panel-mount base with cover, source with M12 threaded post</b>			
44420285	POWERLOCK BOX A6 CD	Ø6,5mm (4x)	4+PE

## Material/Surface

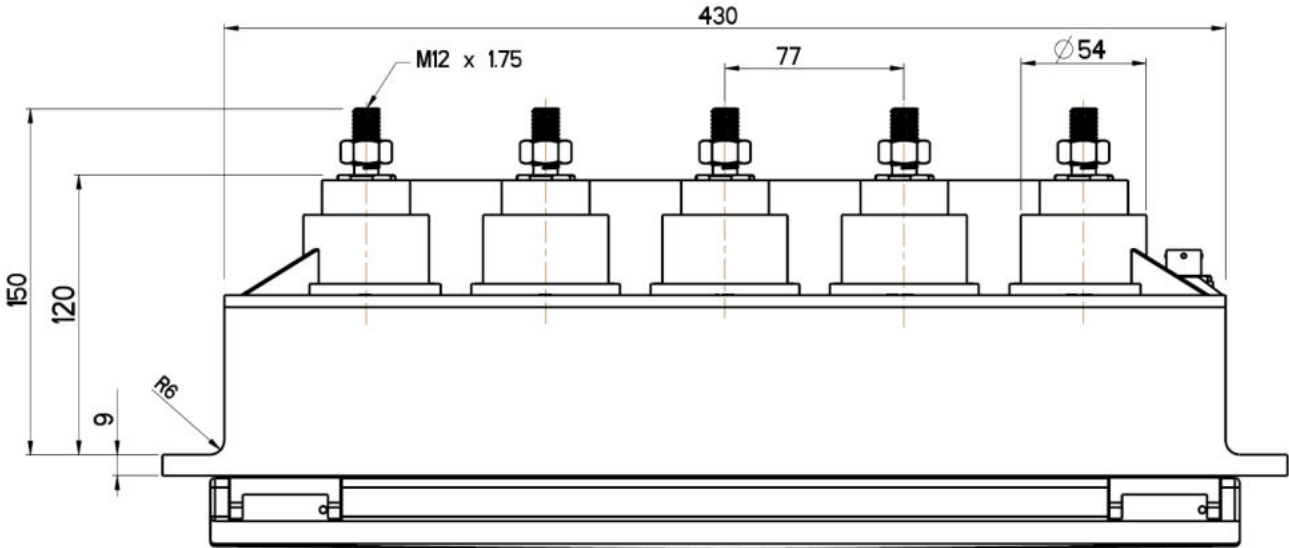
Housing	High temperature thermoplastic
---------	--------------------------------

## Approvals

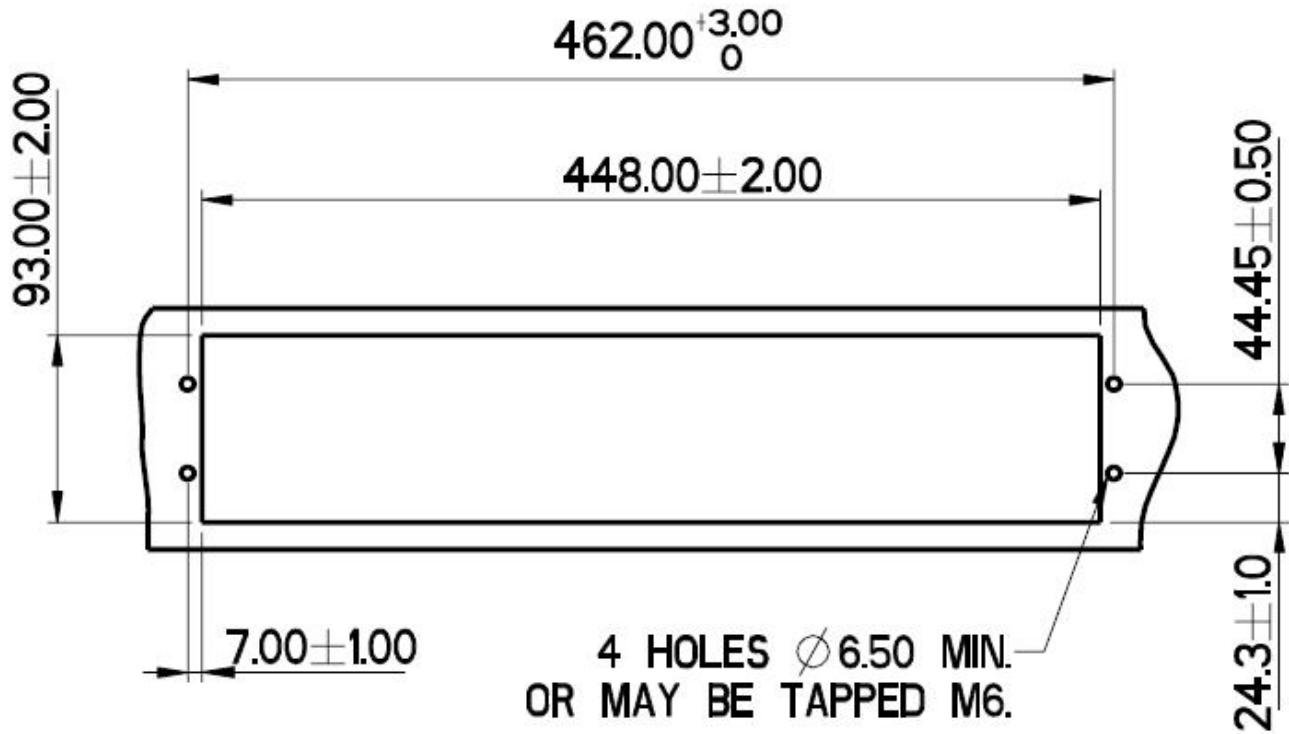
VDE-Approval, VDE-REG.-No.	D042
----------------------------	------

44420288	<b>DATENBLATT</b>
Gültig ab: 08.01.2024	<b>POWERLOCK BOX C</b>

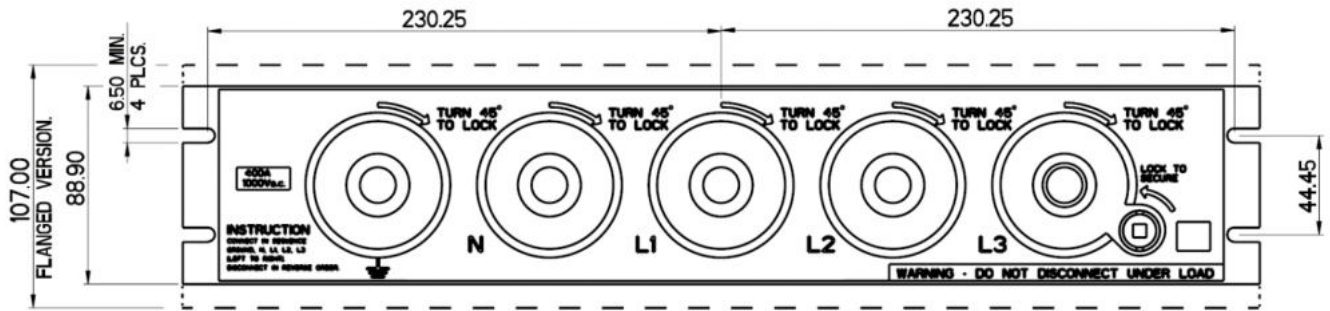
**Technical Drawings**



44420288	<b>DATENBLATT</b>
Gültig ab: 08.01.2024	POWERLOCK BOX C

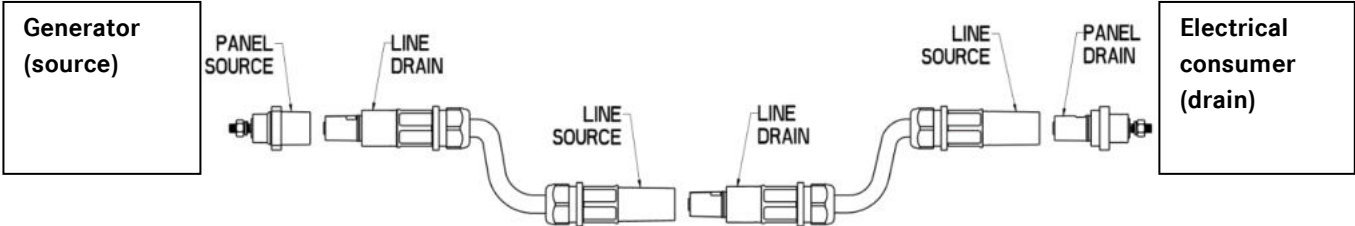


## RECOMMENDED PANEL CUT OUT. FOR FLANGED VERSION



44420288	<b>DATENBLATT</b>
Gültig ab: 08.01.2024	<b>POWERLOCK BOX C</b>

**System description**



	Line connector	Panel mount connector	Crimp contact	Screw contact
Source	D6 	A6 		
Drain	F6 	A1 		

- Step 1) Selection of housings:
- Step 2) Selection of SKINTOP® cable gland M40 for the housing (only cable connectors):  
e.g. 3111250 (black), 53111450 (light grey), 53111050 (silver grey)
- Step 3) Decision:           400 A / max. 120mm<sup>2</sup>   -> Screw contacts  
                                  660 A / max. 240mm<sup>2</sup>   -> Crimp contacts  
**! Screw and crimp contacts are not allowed to be mixed!**
- Step 4) Selection of contacts:

Contacts with M12 thread (for cable lug Ø12 mm)

	M12-thread 660 A	M12-thread 400 A
Source	44420261 	44420242 
Drain	44420260 	44420241 

**Note:** POWERLOCK Boxes: Already includes contacts with M12 thread.

Tightening torque M12 nut: 27,5 Nm - 31,4 Nm

44420288	<b>DATENBLATT</b>
Gültig ab: 08.01.2024	<b>POWERLOCK BOX C</b>



Robust



Reliability



Waterproof

### Info

Can be locked to prevent unauthorised disconnection

### Application range

Alternative energy installations

For mobile and stationary power distribution

For the connection of motors, transformers and generators

Light & sound technology

### Housings

Sealed security lid is optional

### Product features

Included: Contacts with M12 threaded post

Cable connector for microswitch optional

19" housing with height unit 2HE/2U

### Remark

\* Trade product, not Lapp product

Photographs are not to scale and do not represent detailed images of the respective products.