

53611001	DATA SHEET	
Valid from: 23.10.2024	SKINTOP® DIX-M AUTOMATION	

SKINTOP® DIX-M AUTOMATION is a sealing insert, made of NBR, with one or more holes and with a side slit. The DIX-M is made for pre-assembled cables and offers a simple mounting and a great sealing.



Technical features:

Material:	NBR
Size	M25 up to M40
Protection rating DIX-M SLOTTED	IP66 acc. to DIN 60529
Protection rating DIX-M ASI	IP68 – 5 bar / 30 min acc. to DIN 60529
Temperature range	IP54 acc. to EN 60529
Color:	-40 °C up to +100 °C
	Black



Norm references:



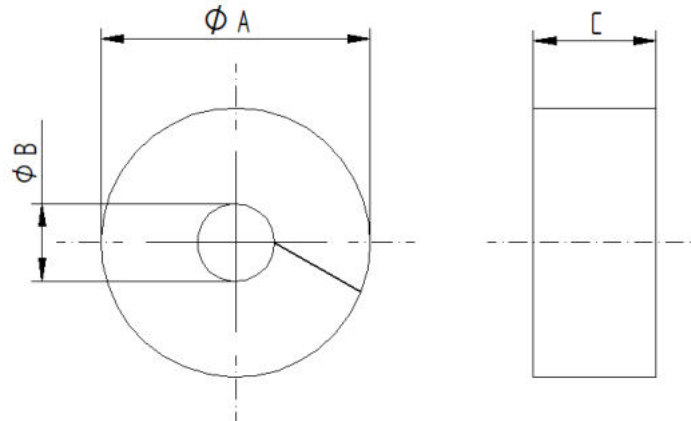
Suitable gland:

SKINTOP® ST-M
SKINTOP® MS-M
SKINTOP® CLICK

Creator: MAU1/PDP Released: DAMU1/PDP	Document: DB53611001EN Version: 06	Page 1 of 2
------------------------------------------	---------------------------------------	-------------

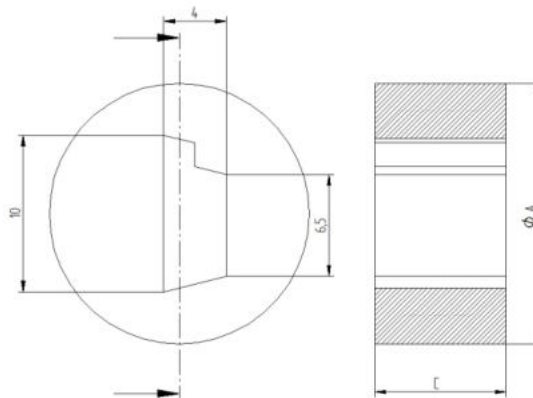
53611001	DATA SHEET	
Valid from: 23.10.2024	SKINTOP® DIX-M AUTOMATION	

SKINTOP® DIX-M SLITTED



Size	Ø A mm	Clamping range Ø B mm	Number of holes	C mm	Part No.
M25	20,8	5,4	1	9,5	5344 0980
M25	20,8	3 - 7	1	9,5	5344 0982
M25	20,8	4 - 9	1	9,5	5344 0983
M32	25,6	4,5 - 6,5	1	12,0	5344 0970
M32	25,6	5 - 8,5	1	12,0	5361 1006
M32	25,6	6 - 11	1	12,0	5361 1005
M32	25,6	6 - 8	3	12,0	5361 1007
M40	33,8	7 - 10	3	14,5	5331 0444
M40	33,8	6,5 - 9	4	14,5	5361 1008

SKINTOP® DIX-M ASI



Size	Ø A	C	Number of ASI holes	Part No.
M20	16,6	8,4	1x	53611001
M25	20,8	8,4	2x	53611004

Weitere Angaben entnehmen Sie bitte unserem aktuellen Katalog.

Bei Beständigkeitsfragen über aggressive Medien oder bestimmte Öle kann unser Labor Sie gerne beraten.

Creator: MAU1/PDP Released: DAMU1/PDP	Document: DB53611001EN Version: 06	Page 2 of 2
------------------------------------------	---------------------------------------	-------------