
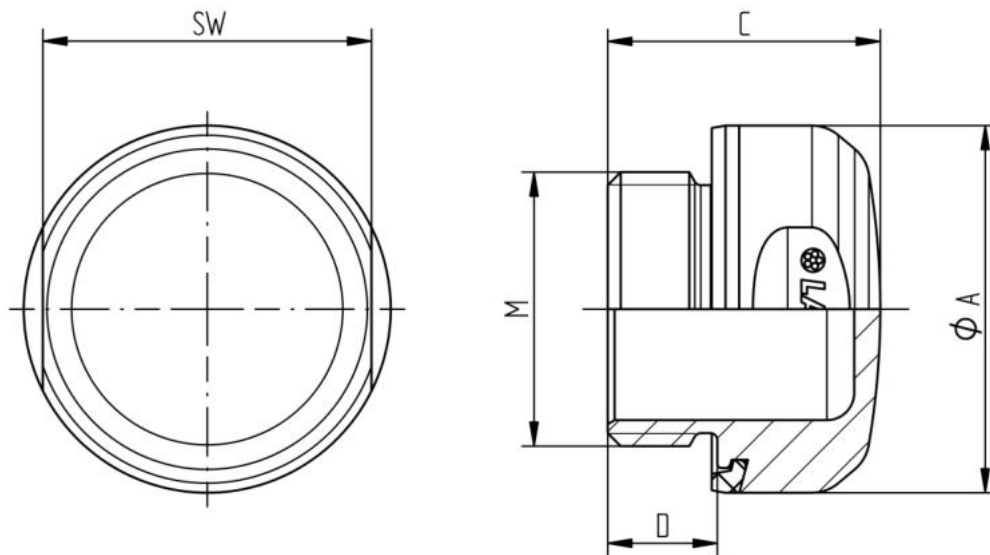




52103490	<b>DATA SHEET</b>	
Valid from: 30.09.2024	<b>SKINDICHT® HYGIENIC BL-M</b>	

**Technical drawing:**



**Dimension table**

Article number	Article description	M	SW [mm]	Ø A [mm]	C [mm]	D [mm]
52103490	SKINDICHT HYGIENIC BL-M12x1,5	M12x1,5	16	18,8	16,9	6,5
52103491	SKINDICHT HYGIENIC BL-M16x1,5	M16x1,5	20	22,8	17,9	7
52103492	SKINDICHT HYGIENIC BL-M20x1,5	M20x1,5	24	26,8	19,9	8
52103493	SKINDICHT HYGIENIC BL-M25x1,5	M25x1,5	29	31,8	20,7	8
52103488	SKINDICHT HYGIENIC BL-M32x1,5	M32x1,5	36	39,6	22,5	9
52103489	SKINDICHT HYGIENIC BL-M40x1,5	M40x1,5	45	49	23,5	9

For more information please see our current catalogue. Please do not hesitate to contact our laboratory if there are any questions regarding resistance against aggressive agents and special oil.

Creator: MAU1/PDP Released: DAMU1/PDP	Document: DB52103490EN Version: 03	Page 2 of 2
--	---------------------------------------	-------------