

53112551	DATA SHEET	
Valid from: 29.07.2025	SKINTOP® MS-HF-M GRIP	

The SKINTOP® MS-HF-M GRIP is a double clamp strain relief cable gland. The cable gland is suitable for rough conditions and has an additional safety cable protection for bending and pulling out.

The SKINTOP® MS-HF-M GRIP is a nickel plated brass cable gland with metric connection thread. Through the combination of lamellar design and double clamp strain relief, the cable gland is particularly suitable for use in plant constructions, in mobile devices and machinery and also in the cranes- and conveyor plant constructions.



Screw connection materials:

Gland Body	Brass, nickel plated
Cap nut	Brass, nickel plated
Clamp	Brass, nickel plated
Insert with lamellar cage	Polyamide, Halogen free V0 (acc. to UL 94)
Seal insert for the lamellar cage	Special Elastomer Halogen free, flame retardant
O-Ring:	Special Elastomer Halogen free, flame retardant

Technical characteristics:

Connecting thread:	M16x1.5 up to M32x1.5 acc. to EN 60423
Protection class:	IP 68 - 5 bar acc. to EN 60529
Strain relief:	Exceed the specification acc. to DIN EN 62444/category B
Temperature range:	Dynamic -25°C up to +100°C Static -40°C up to +100°C

Features:

- For high mechanical stress
- High strain relief
- Smooth clamping of the cable
- Reliable bend protection

Norm Reference:



Tested in according to:

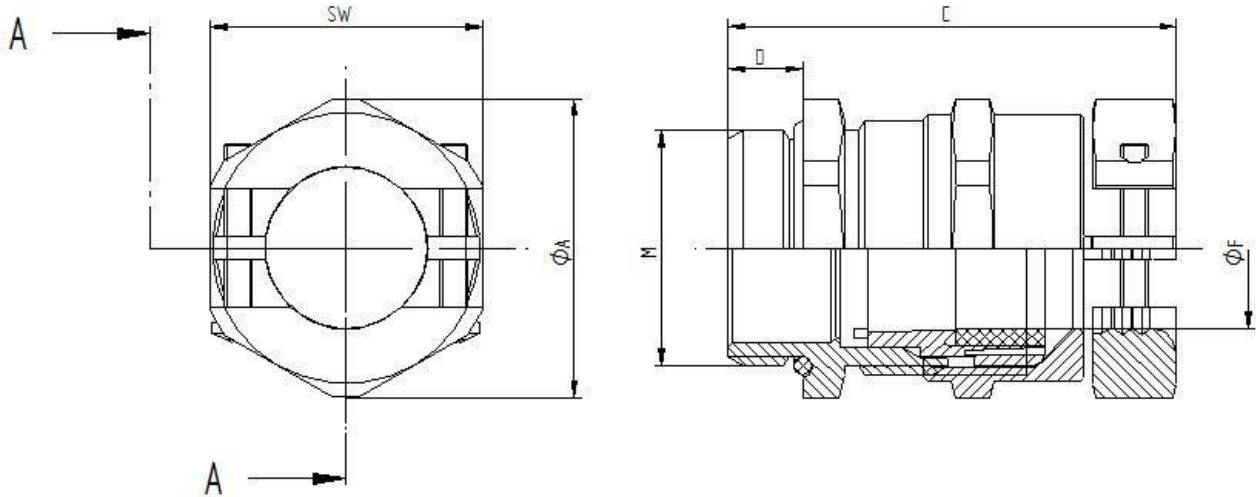
DIN EN 45545-2: 2016-02 & 2020-10
 “Railway applications – Fire protection to railway vehicles – Part 2: Requirements for fire behavior of materials and components.”
 Test result: Hazard Level **HL3** acc. to DIN EN ISO 4589-2: 2006-06

DIN EN 45545-3: 2013-08
 „Railway applications – Fire protection to railway vehicles – Part 3: Fire resistance requirements for fire barriers.“
 Classification: **E30** acc. to DIN EN 13501-2: 2010-02

Creator: MAU1/PDP Released: DAMU1/PDP	Document: DB53112551EN Version: 05	Page 1 of 2
--	---------------------------------------	-------------

53112551	DATA SHEET	
Valid from: 29.07.2025	SKINTOP® MS-HF-M GRIP	

SKINTOP® MS-HF-M GRIP



Thread (M)	SW	Ø A	C max.	D	Clamping range	O-ring	Part No.
					Ø F		
M16x1,5	20	22	41	7	4,5 - 10	13x2	5311 2551
M20x1,5	24	26,4	46	8	7 - 13	17x2	5311 2552
M25x1,5	29	31,9	48,5	8	9 - 17	22x2	5311 2553
M32x1,5	36	39,6	56,6	9	11 - 21	28x2	5311 2554

For more information please see our current catalogue. Please do not hesitate to contact our laboratory if there are any questions regarding resistance against aggressive agents and special oil.

Creator: MAU1/PDP Released: DAMU1/PDP	Document: DB53112551EN Version: 05	Page 2 of 2
--	---------------------------------------	-------------