


22260079	DATA SHEET	
Valid from: 29.11.2023	AB-PB-M12MA-(L*) PUR-M12FA	

Product description

- Bus system cable, 2-pol, shielded, PUR purple
- PROFIBUS (12 Mbit/s)
- Angled M12-plug on angled M12-jack

General characteristics

Fieldbus	PROFIBUS
Number of pins	2
Ambient temperature	-25 °C to +90 °C (-13°F to 194°F) (plug / jack) -40 °C to +80 °C (-40°F to 176°F) (cable, fixed installation) -30 °C to +70 °C (-22°F to 158°F) (cable, movable installation) -20 bis +60 °C (-4°F bis 140°F) (at installation) -20 bis +60 °C (-4°F bis 140°F) (cable, drag chain use)
Degree of protection	IP65 / IP67
Coding	B- inverse
Tightening torque	0,4 Nm (M12-connector)
Plugging cycles	≥ 100

Variation

Article number	Description	Length [m]	Configuration
22260079	AB-PB-M12MA-5,0 PUR-M12FA	5	angled - angled
22260904	AB-PB-M12MA-10,0 PUR-M12FA	10	angled - angled
22260905	AB-PB-M12MA-15,0 PUR-M12FA	15	angled - angled

Additional note

Data sheet also valid for variant lengths. Other lengths on request.


Electrical properties

Rated voltage	60 V DC / 48 V AC
Rated current	4 A
Overvoltage category	II
Pollution degree	3
Characteristic impedance, line	150 Ω ± 10 % (3 MHz ... 20 MHz)

Connector pin assignment

Pol = color of conductor (Signal) = Pol (optional)	2 (plug) = GN (A-Leitung) = 2 (jack) 4 (plug) = RD (B-Leitung) = 4 (jack)
--	--

Creator: THLE3/PDP Released: IVSE1/PDP	Document: DB22260079EN Version: 03	Page 1 of 3
---	---------------------------------------	-------------

22260079	DATA SHEET	
Valid from: 29.11.2023	AB-PB-M12MA-(L*) PUR-M12FA	

Mechanical properties

Plug, jack

Inflammability class in accordance with UL 94	HB
Contact, material	CuSn
Contact carrier, material	TPU GF
Contact surface, material	Ni/Au
Knurl, material	Zinc diecasting, nickel-plated
Handle, material	TPU, flame retardant, self-extinguishing
Seal, material	NBR


Line

Cable construction	2 x AWG24/19
Signal line, construction	19 x 0,13 mm
Conductor cross-section	0,25 mm ²
Conductor diameter including isolation	2,55 mm ± 0,07 mm
Cable outer diameter	7,8 mm ± 0,2 mm
Insulation color	red, green
Sheath color	purple, RAL 4001
Shielding	Plastic-laminated aluminum foil, braiding of tinned copper wires
Number of bending cycles	5.000.000
Bending radius	65 mm
Traveling distance	4,5 m
Traveling speed	3 m/s
Acceleration	3 m/s ²
Cable weight	90 kg/km
Outer coating, material	PUR
Wire insulation, material	Foam-Skin PP
Insulation resistance	≥ 5 GΩ*km
Conductor resistance	≤ 78,6 Ω/km
Flame resistance	acc. to UL 1581 Section 1060 and UL 2556 Section 9.3 (FT1) UL 1581, Section 1100 and UL 2556, Section 9.1 (HFT/FT2)
Halogen-free	acc. to DIN VDE 0472 Part 815 IEC 60754-1

Standards/Approvals

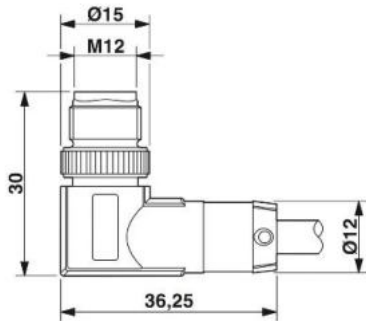
Product standard, M12 connector	IEC 61076-2-101
---------------------------------	-----------------

Creator: THLE3/PDP Released: IVSE1/PDP	Document: DB22260079EN Version: 03	Page 2 of 3
---	---------------------------------------	-------------

22260079	DATA SHEET	
Valid from: 29.11.2023	AB-PB-M12MA-(L*) PUR-M12FA	

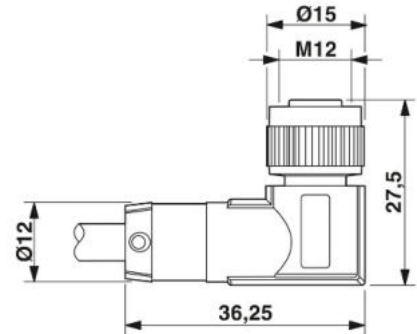
Technical drawing

Dimensional drawing



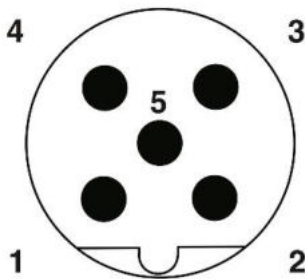
Plug M12 x 1, SPEEDCON, angled, shielded

Dimensional drawing



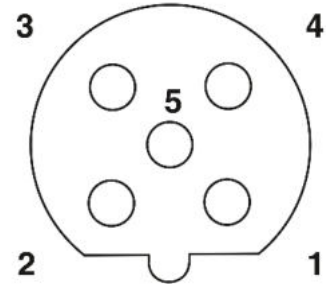
Jack M12 x 1, SPEEDCON, angled, shielded

Drawing



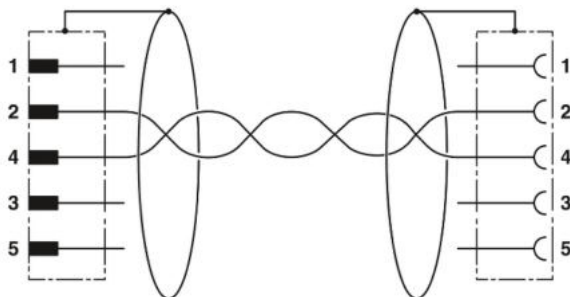
Pin assignment M12-plug, 5-pol, B-codiert

Drawing



Pin assignment M12-jack, 5-pol, B-codiert

Circuit diagram



Pin assignment between M12-plug and M12-jack

Wire cross section



Application range

Automation, industrial machinery and plant engineering

Note

Photographs are not true to scale and do not represent detailed images of the respective products.

Creator: THLE3/PDP Released: IVSE1/PDP	Document: DB22260079EN Version: 03	Page 3 of 3
---	---------------------------------------	-------------