

51730010	DATA SHEET	
Valid from: 03.07.2018	SKINDICHT® KU	

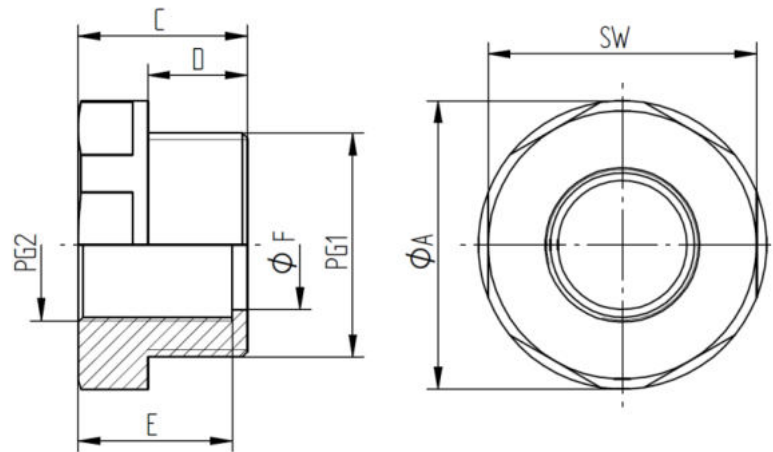
The SKINDICHT® KU is a reduction with PG-threads, outer hexagon and flat design.

Technical features:

Material Polyamide, glass-fibre reinforced
 Temperature range -40 °C up to +100 °C
 Color RAL 7035 light-grey



Norm references:



External thread PG1	Internal thread PG2	SW [mm]	Ø A [mm]	C [mm]	D [mm]	E [mm]	Ø F [mm]	Article No.
PG 11	PG 7	22	24	16	9	15,5	10	51730010
PG 13,5	PG 7	24	27	17	10	15,5	10	52025100
PG 16	PG 9	27	29	17	10	15,5	13	52025110
PG 21	PG 11	33	36	19	12	15,5	16	52025120
PG 21	PG 13,5	33	36	19	12	15,5	18	51730040
PG 29	PG 13,5	42	45	19	12	15,5	18	52025130
PG 29	PG 16	42	45	19	12	15,5	20	51730050
PG 36	PG 16	53	59	21	14	15,5	20	52025140
PG 36	PG 21	53	59	21	14	15,5	26	52025150
PG 36	PG 29	53	59	21	14	15,5	35	52025050
PG 42	PG 21	60	67	21	14	15,5	26	52025160
PG 42	PG 29	60	67	21	14	15,5	35	52025170
PG 42	PG 36	60	67	21	14	15,5	44	52025060
PG 48	PG 29	65	73	22	15	15,5	35	52025180
PG 48	PG 36	65	73	22	15	15,5	44	52025190
PG 48	PG 42	65	73	22	15	15,5	51	52025070

For more information please see our current catalogue. Please do not hesitate to contact our laboratory if there are any questions regarding resistance against aggressive agents and special oil.

Creator: T. Dvoulety /PDP Released: DAMU1/PDP	Document: DB51730010EN Version: 02	Page 1 of 1
--	---------------------------------------	-------------