


10423000	DATA SHEET	
Valid from: 12.09.2022	EPIC® H-A 3 AGS	

Description

- Compact housing for power supply in the smallest place.



General Characteristics

Series	H-A 3
Version	Panel mount base, angled
Locking	Single lever
Protection (DIN EN 60529)	IP 65 (latched)
Protection (NEMA 250, UL50E)	4, 12 (latched)
Temperature Range	-40°C to +100°C, short term up to +125°C

Materials / Surfaces

Housing	PA
Locking	Steel, zinc-plated
Sealing	NBR
Flammability Class according to UL94	HB

Approvals

VDE-Approval, VDE-REG.-Nr.	B437
UL-Approval, E-File-Number	E75770


Standard

Safety Standard	DIN EN 60529
-----------------	--------------

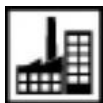
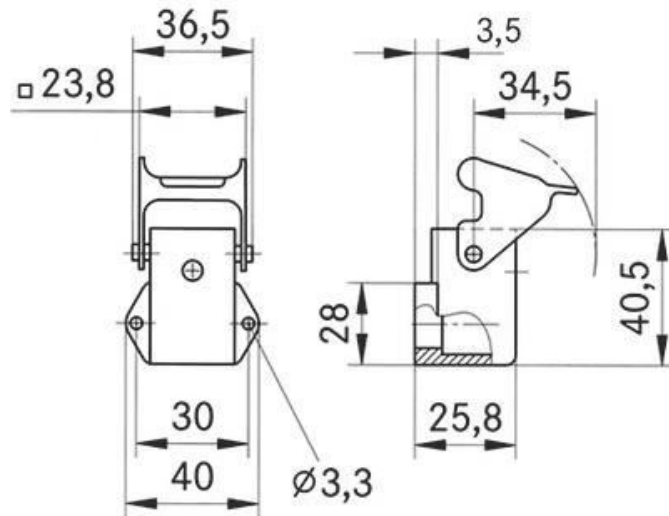
Versions

Article number	Article description	Color
10423000	EPIC® H-A 3 AGS	Grey (RAL 7035)
10423100	EPIC® H-A 3 AGS BK	Black (RAL 9005)

Creator: BEGE1/PDP Released: IVSE1/PDP	Document: DB10423000EN Version: 02	Page 1 of 2
---	---------------------------------------	-------------

10423000	DATA SHEET	
Valid from: 12.09.2022	EPIC® H-A 3 AGS	

Technical Drawings



Industrial machinery and plant engineering



Mechanical resistance



Robust



Waterproof

Application range

Machine and equipment manufacturing, control engineering, electronic laboratory

Remark

Photographs are not to scale and do not represent detailed images of the respective products.

Creator: BEGE1/PDP Released: IVSE1/PDP	Document: DB10423000EN Version: 02	Page 2 of 2
---	---------------------------------------	-------------