


10422000	<b>DATA SHEET</b>	
Valid from: 04.04.2024	EPIC® H-A 3 AG	

## Description

- Compact housing for power supply in the smallest place.



## General Characteristics

Series	H-A 3
Version	Panel mount base
Locking	Single lever
Protection rating (DIN EN 60529)	IP 67 (latched)
Protection rating (NEMA 250, UL50E)	4, 12 (latched)
Temperature Range	-40°C to +100°C, short term up to +125°C

## Materials / Surfaces

Housing	PA-GF, V-0 acc. to UL 94
Locking lever	PA-GF, V-0 acc. to UL 94
Sealing	NBR

## Approvals

VDE-Approval, VDE-REG.-Nr.	B437
UL-Approval, E-File-Number	E75770


## Standard

Harmonised standard	DIN EN 60529
Safety standard	IEC 61984

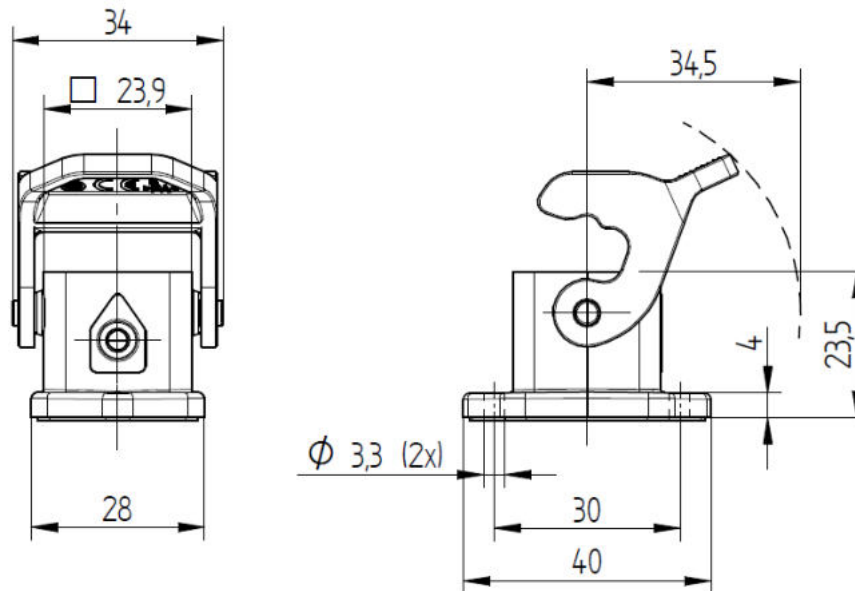
## Versions

Article number	Article description	Color
10422000	EPIC® H-A 3 AG	Grey (RAL 7035)
10422200	EPIC® H-A 3 AG BK	Black (RAL 9005)

Creator: TODV1/BU EPIC Released: VACH1/BU EPIC	Document: DB10422000EN Version: 04	Page 1 of 2
---	---------------------------------------	-------------

10422000	<b>DATA SHEET</b>	
Valid from: 04.04.2024	EPIC® H-A 3 AG	

### Technical Drawings



Industrial machinery and plant engineering



Mechanical resistance



Robust



Waterproof

### Application range

Machine and equipment manufacturing, control engineering, electronic laboratory

### Remark

Photographs are not to scale and do not represent detailed images of the respective products.

Creator: TODV1/BU EPIC Released: VACH1/BU EPIC	Document: DB10422000EN Version: 04	Page 2 of 2
---	---------------------------------------	-------------