


| | | |
|---------------------------|-------------------------------|---|
| 10423620 | DATA SHEET |  |
| Valid from: 20.11.2024 | EPIC® ULTRA H-A 3 TGHV | |

Description

- Innovative metal housing
- For safe connections in the smallest possible space
- EMC protection
- Corrosion-resistant

General characteristics

| | |
|-------------------------------------|---|
| Series | ULTRA H-A 3 |
| Version | Hood |
| Locking mechanism | Bolts for single lever |
| Cable gland | Integrated |
| Clamping range | 6 - 13 mm |
| Protection rating (DIN EN 60529) | IP 66 (latched) IP 68 - 1 meter / 10 hours (latched) |
| Protection rating (NEMA 250, UL50E) | 4, 4X, 12 (latched) |
| Temperature range | -40 °C to +100 °C, short-term up to +125 °C |
| Holding screws for inserts included | yes |



Product variations

| Article number | Description | Clamping range [mm] |
|----------------|-------------------------------------|---------------------|
| 10423620 | EPIC® ULTRA H-A 3 TGHV 6-13 BRUSH | 6 - 13 |
| 10423630 | EPIC® ULTRA H-A 3 TGHV 9-13,5 BRUSH | 9 - 13,5 |

Materials and surfaces

| | |
|----------------------------|----------------------|
| Housing, base material | Zinc die-casting |
| Housing, surface | Nickel-plated |
| Cap nut | Brass, nickel-plated |
| Insert with lamellar cage | Polyamide |
| Sealing ring | CR |
| Holding screws for inserts | Stainless steel |


Standard

| | |
|-----------------|------------------|
| Safety Standard | IEC 61984, UL50E |
|-----------------|------------------|

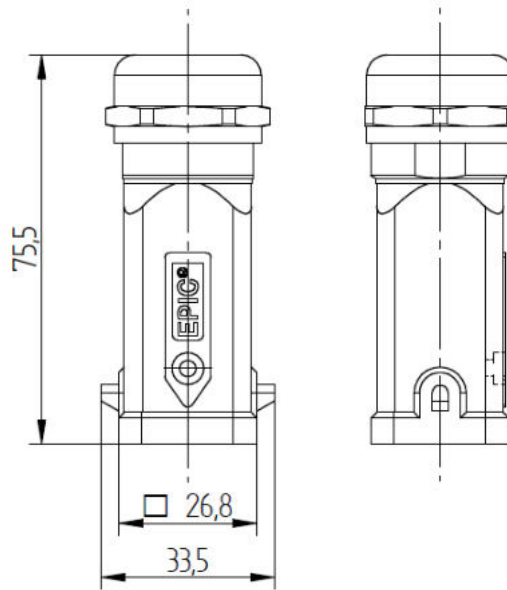
Approvals

| | |
|----------------------------|--------|
| UL-Approval, E-File-Number | E75770 |
|----------------------------|--------|

| | | |
|---|---------------------------------------|-------------|
| Creator: THBO1/BU-EPIC Released: VACH1/BU-EPIC | Document: DB10423620EN Version: 01 | Page 1 of 2 |
|---|---------------------------------------|-------------|

| | | |
|---------------------------|-------------------------------|---|
| 10423620 | DATA SHEET |  |
| Valid from: 20.11.2024 | EPIC® ULTRA H-A 3 TGHV | |

Technical Drawings



Waterproof



Space requirement



Interference signals



Assembly time



Connectors with standart housing



Corrosion resistant



Robust



Good chemical resistance

Info

EMC protection, Corrosion-resistant, Compact, robust metal housings size H-A 3

Application range

In EMC-sensitive environments, For fixed and flexible applications (e.g. machinery building, wind turbines), Construction machinery, Electric motor manufacturing

Remark

Photographs are not to scale and do not represent detailed images of the respective products.

| | | |
|---|---------------------------------------|-------------|
| Creator: THBO1/BU-EPIC Released: VACH1/BU-EPIC | Document: DB10423620EN Version: 01 | Page 2 of 2 |
|---|---------------------------------------|-------------|