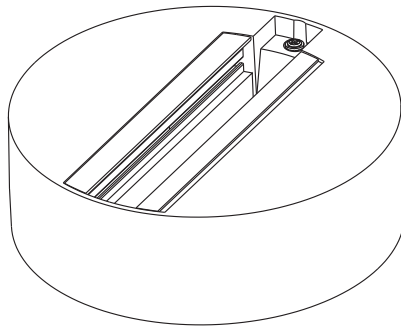
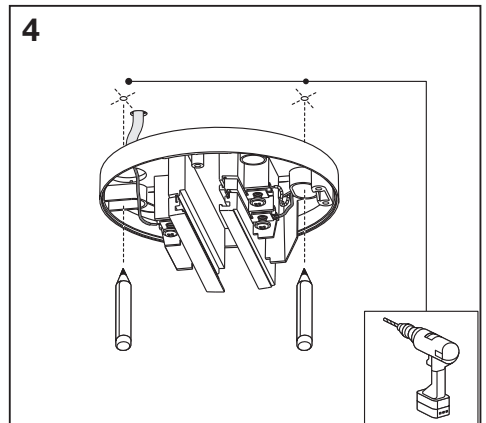
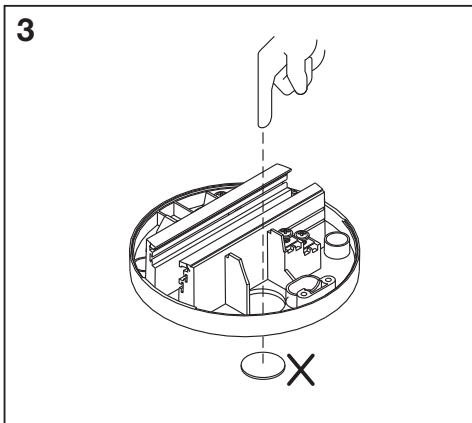
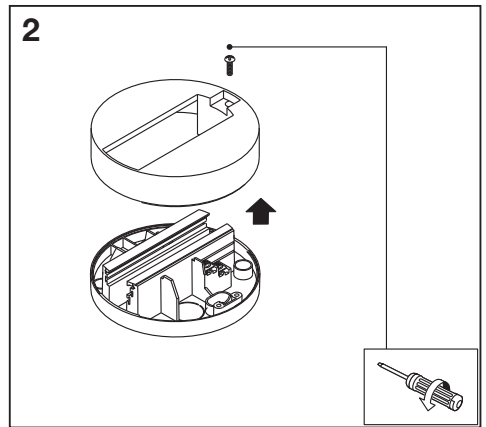
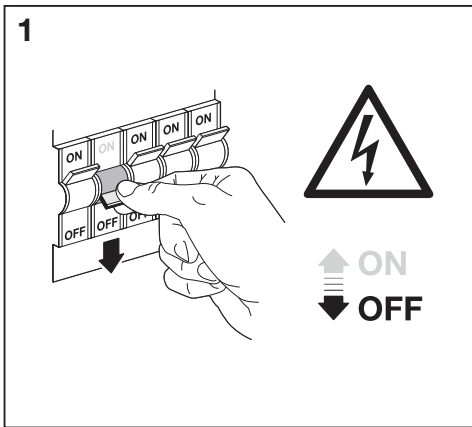
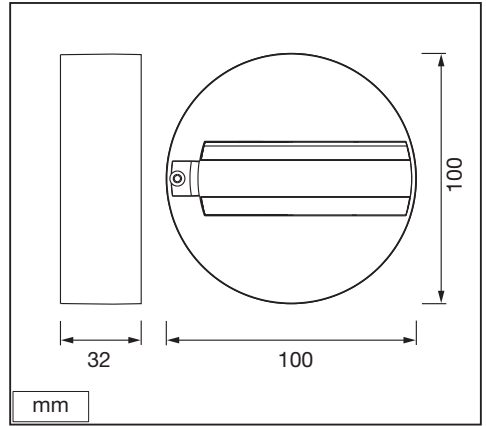
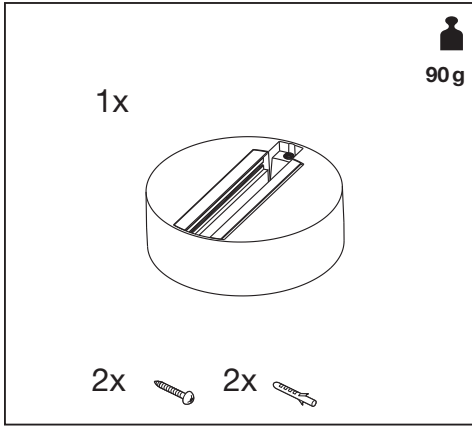


TRACKLIGHT ROUND BASE

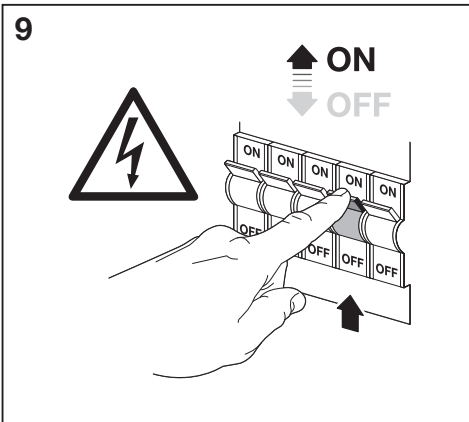
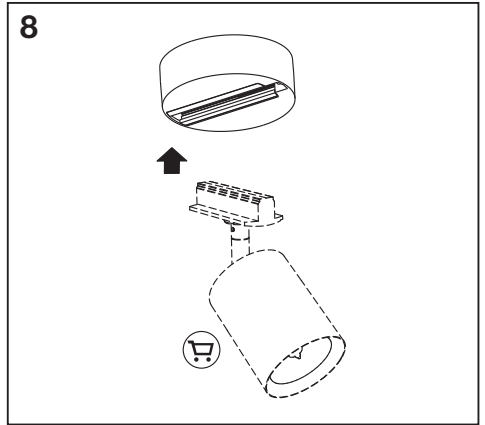
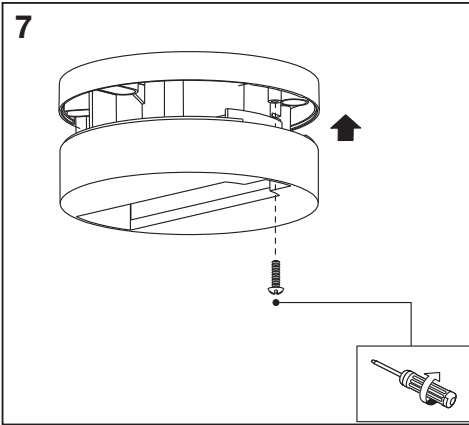
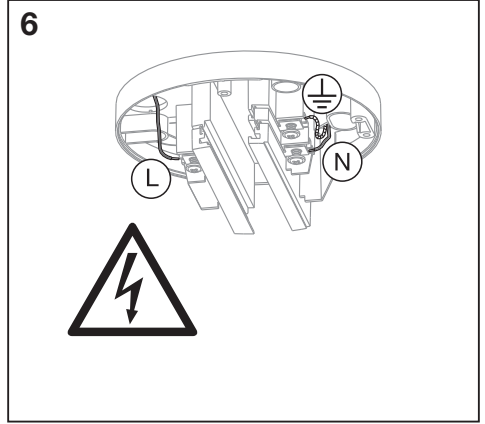
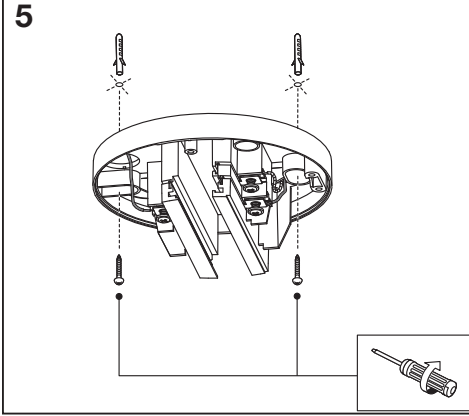


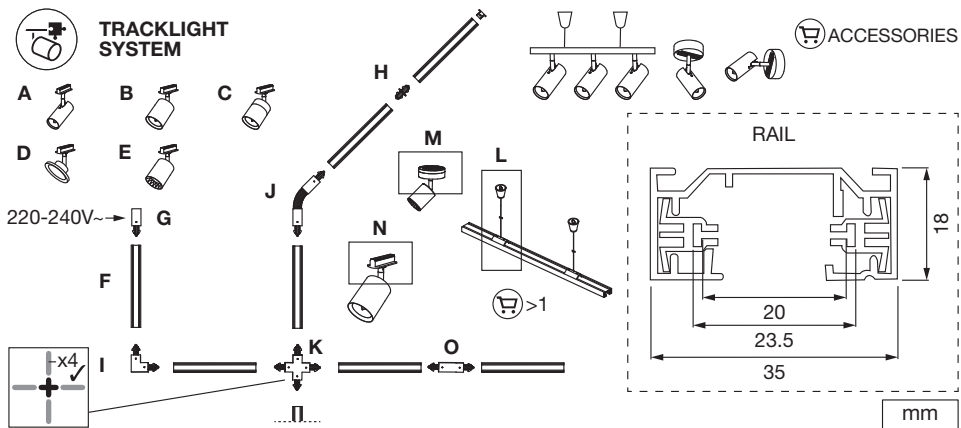
| | EAN | IP | ΔT (°C) | V~ | Hz |
|---------------------------------|---------------|----|-----------------|---------|-------|
| TRACKLIGHT ROUND BASE BK | 4099854507595 | 20 | -20...+40 | 220-240 | 50/60 |
| TRACKLIGHT ROUND BASE WT | 4099854507632 | 20 | -20...+40 | 220-240 | 50/60 |

TRACKLIGHT ROUND BASE

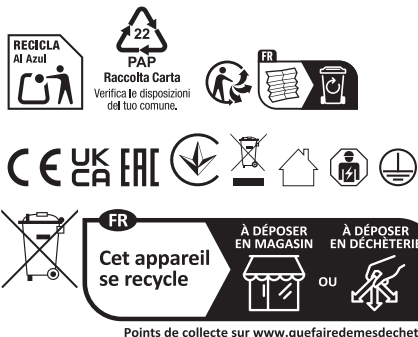


TRACKLIGHT ROUND BASE





| Item | Model | Socket | Dimension L x W x H | Color | EAN |
|------|---------------------------------------|----------------|----------------------------|----------------|--------------------------------|
| A | TRACKLIGHT SPOT CYLINDER | GU10 | 140 x 55 x 130 mm | White Black | 4099854455407 4099854455308 |
| B | TRACKLIGHT SPOT MINICYLINDER | GU10 | 135 x 65 x 93 mm | White Black | 4099854455445 4099854455421 |
| C | TRACKLIGHT SPOT CYLINDER | GU10 | 142 x 65 x 93 mm | White Black | 4099854455346 4099854455322 |
| D | SMART WIFI TRACKL SPOT CIRCLE TUNABLE | Integrated LED | ø120 x 95 mm | White Black | 4099854474705 4099854474682 |
| E | SMART WIFI TRACKL SPOT OSAKA TUNABLE | Integrated LED | 64.5 x 92 x 140 mm | White Black | 4099854474767 4099854474743 |
| F | TRACKLIGHT RAIL | - | 1000 x 35 x 18 mm | White Black | 4099854507687 4099854507717 |
| G | TRACKLIGHT SUPPLY CONNECTOR | - | 104 x 35 x 18 mm | White Black | 4099854507830 4099854507861 |
| H | TRACKLIGHT LINEAR CONNECTOR | - | 64 x 35 x 18 mm | White Black | 4099854508295 4099854508431 |
| I | TRACKLIGHT CORNER CONNECTOR | - | 104 x 104 x 18 mm | White Black | 4099854508769 4099854508790 |
| J | TRACKLIGHT FLEXIBLE CONNECTOR | - | 290 x 35 x 18 mm | White Black | 4099854508875 4099854508929 |
| K | TRACKLIGHT CROSS CONNECTOR | - | 172 x 172 x 18 mm | White Black | 4099854508998 4099854509025 |
| L | TRACKLIGHT SUSPENSION KIT | - | 61 x 33 x 15 / ø40 x 47 mm | White Black | 4099854509117 4099854509148 |
| M | TRACKLIGHT ROUND BASE | - | 32 x ø100 mm | White Black | 4099854507595 4099854507632 |
| N | TRACKLIGHT PENDANT CONNECTOR | - | 81 x 34 x 40 mm | White Black | 4099854447174 4099854447228 |
| O | TRACKLIGHT MIDDLE POWER SUPPLY | - | 172 x 35 x 18 mm | White Black | 4099854447259 4099854447280 |



G11225577
06.02.2025



LEDVANCE SASU
CQM, 5 rue d'Altorf
67120 Molsheim France
www.ledvance.com

© LEDVANCE Ltd, Sterling House,
810 Mandarin Court, Warrington,
Cheshire, WA1 1GG, United Kingdom